



KODAK Car Charger UC109

WITH 2 USB PORTS

Quick Start Guide

GB

FR

ES

IT

PT

FI

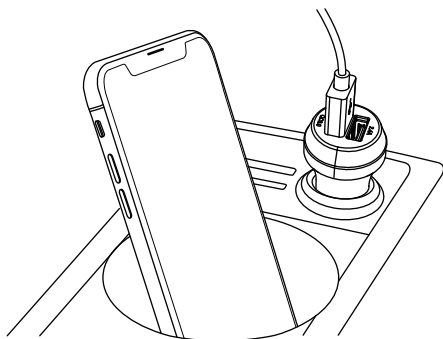
ET

DA

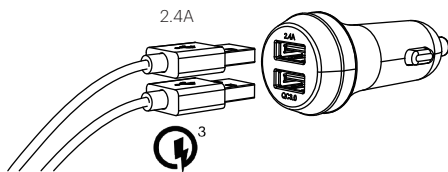


HOW TO USE

1 - Insert charger into the vehicles power port.



2 - Connect devices to the USB port with a suitable cable or device.



⚠ CAUTION

1. Remove the charger from vehicle power port when not in use.
2. Be sure not to connect devices over the max capacity for each port.
3. Handle with care to avoid damage to the vehicle power port.